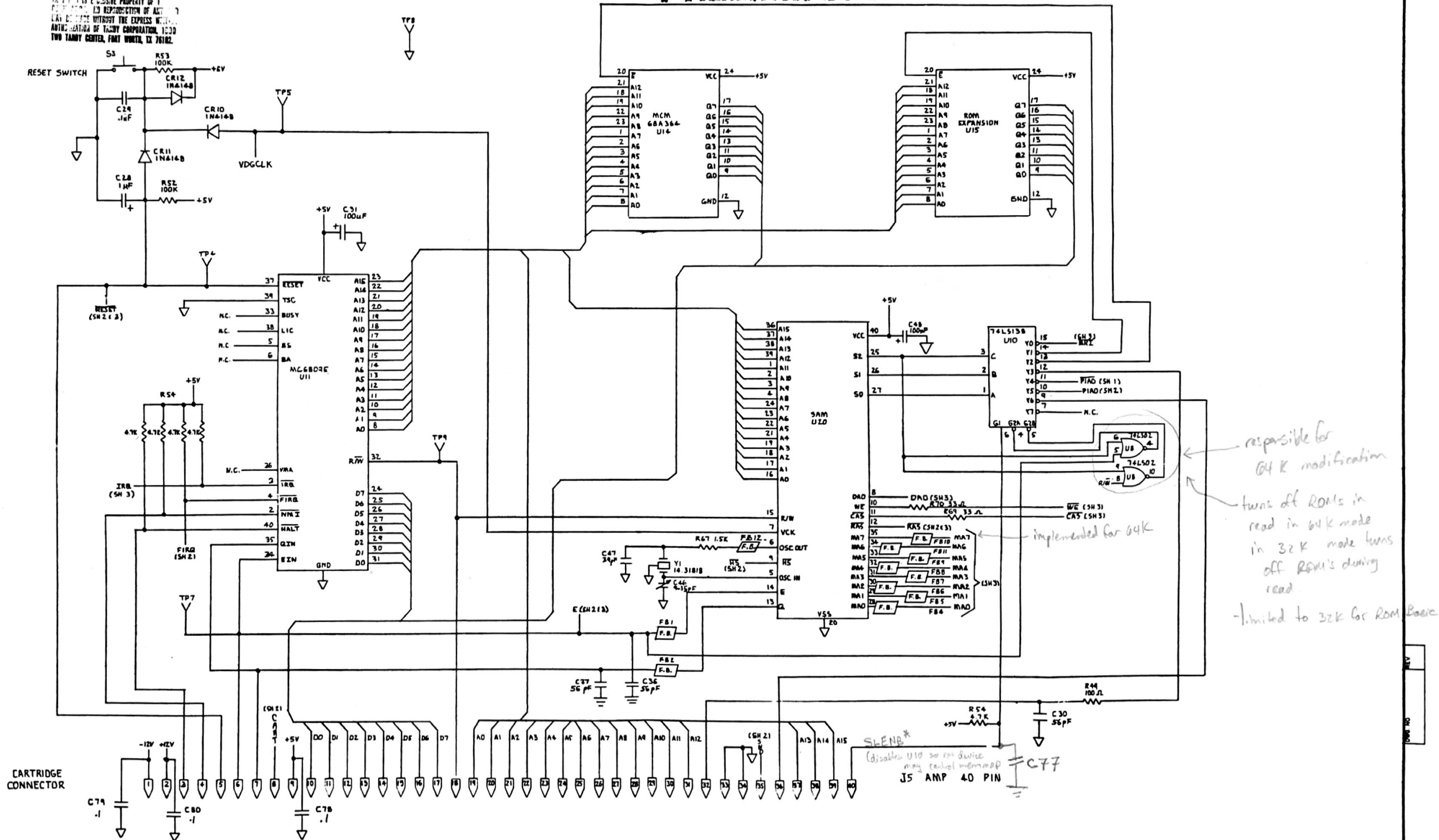


**PROPRIETARY INFORMATION**

THE INFORMATION CONTAINED HEREIN IS PROPRIETARY AND IS EXCLUSIVE PROPERTY OF TANDY CORPORATION. NO REPRODUCTION OR DISSEMINATION OF THIS INFORMATION IS PERMITTED WITHOUT THE EXPRESS WRITTEN PERMISSION OF TANDY CORPORATION, 10300 TWO TANDY CENTER, FORT WORTH, TX 76182.

**PRELIMINARY**

ZONE	REV	DESCRIPTION	DATE	APPROVED
		REVISED PER TCD 1057	16-21-82	



MATERIAL	UNLESS OTHERWISE SPECIFIED	DRAWN	DATE	TITLE
	TOLERANCES XX = ± D10 .XXX = ± .005 ANGLES = 81°	CHECK	DATE	COLOR COMPUTER REDESIGN 26-3004
	MOLE DIA TOLERANCES .014 - .250 = +.005 -.001	DESIGN	DATE	
	.251 - .750 = +.008 -.001	APPD	DATE	
	.751 - 1.000 = +.015 -.001	APPD	DATE	
	DIMENSIONS ARE IN INCHES AND APPLY AFTER PLATING			
	DO NOT SCALE THIS DRAWING	NEXT ASSY.	USED ON	



